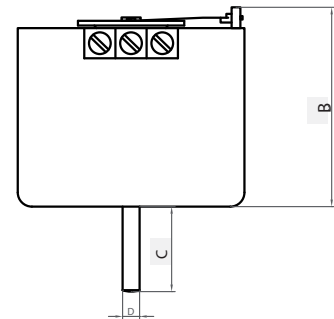
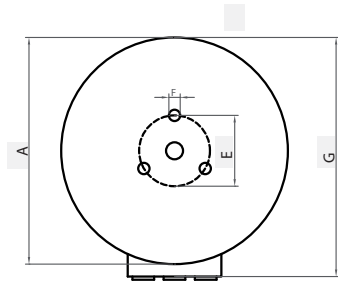


DIMENSIONES Y PESO

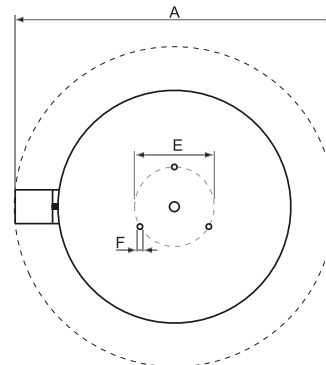
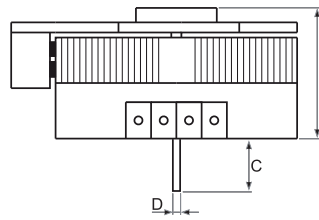
VARIADOR TENSION MONOFASICO DE REGULACIÓN MANUAL

160 VA – 4000 VA		Entrada/Input 230V Salida/Output 230/250V									
VA	In 230 (A)	In 250 (A)	A	B	C	D	E	F	G	Kg	
160	0.7	0.64	80	63	30	6	25	M-4	88	0.8	
220	0.95	0.88	87	67	30	6	25	M-4	99	1.2	
350	1.52	1.4	110	75	30	6	26	M-4	125	2.5	
350*	1.52	1.4	88	85	30	6	25	M-4	99	1.9	
500	2.17	2	110	80	30	6	26	M-4	125	2.8	
500*	2.17	2	88	103	30	6	25	M-4	99	2.4	
750	3.26	3	120	90	30	6	33.5	M-6	130	3.2	
1000	4.34	4	120	105	30	6	33.5	M-6	130	4	
1250	5.43	5	130	105	30	6	33.5	M-6	142	4.6	
1500	6.52	6	160	95	35	8	40	M-6	172	5.7	
2000	8.69	8	160	107	35	8	40	M-6	172	6.8	
2500	10.86	10	196	117	40	8	60	M-6	206	10	
3000	13.04	12	226	120	40	8	60	M-6	238	13.4	
4000	17.39	16	250	127	40	8	74	M-8	275	17	

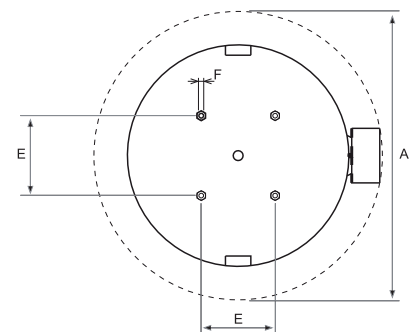
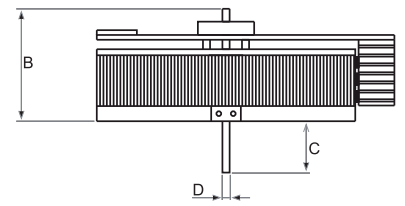
*Dimensiones reducidas/ limited dimensions
In hace referencia a la intensidad nominal del variador/In it refers to the nominal current of the variable autotransformers.



5000 VA



6000 VA - 11000 VA



5000 VA – 11000 VA		Entrada/Input 230V Salida/Output 230/250V									
VA	In 230 (A)	In 250 (A)	A	B	C	D	E	F	Kg		
5000	21.73	20	320	140	60	10	74	M-8	19		
6000	26.01	24	425	170	100	12	80	M-10	32		
7000	30.43	28	445	170	100	12	80	M-10	37		
8000	34.78	32	490	170	100	12	100	M-10	46		
9000	39.13	36	520	170	100	12	100	M-10	55		
10000	43.47	40	570	170	100	15	150	M-12	71		
11000	47.85	44	610	180	100	15	150	M-12	86		

In hace referencia a la intensidad nominal del variador/In it refers to the nominal current of the variable autotransformers.